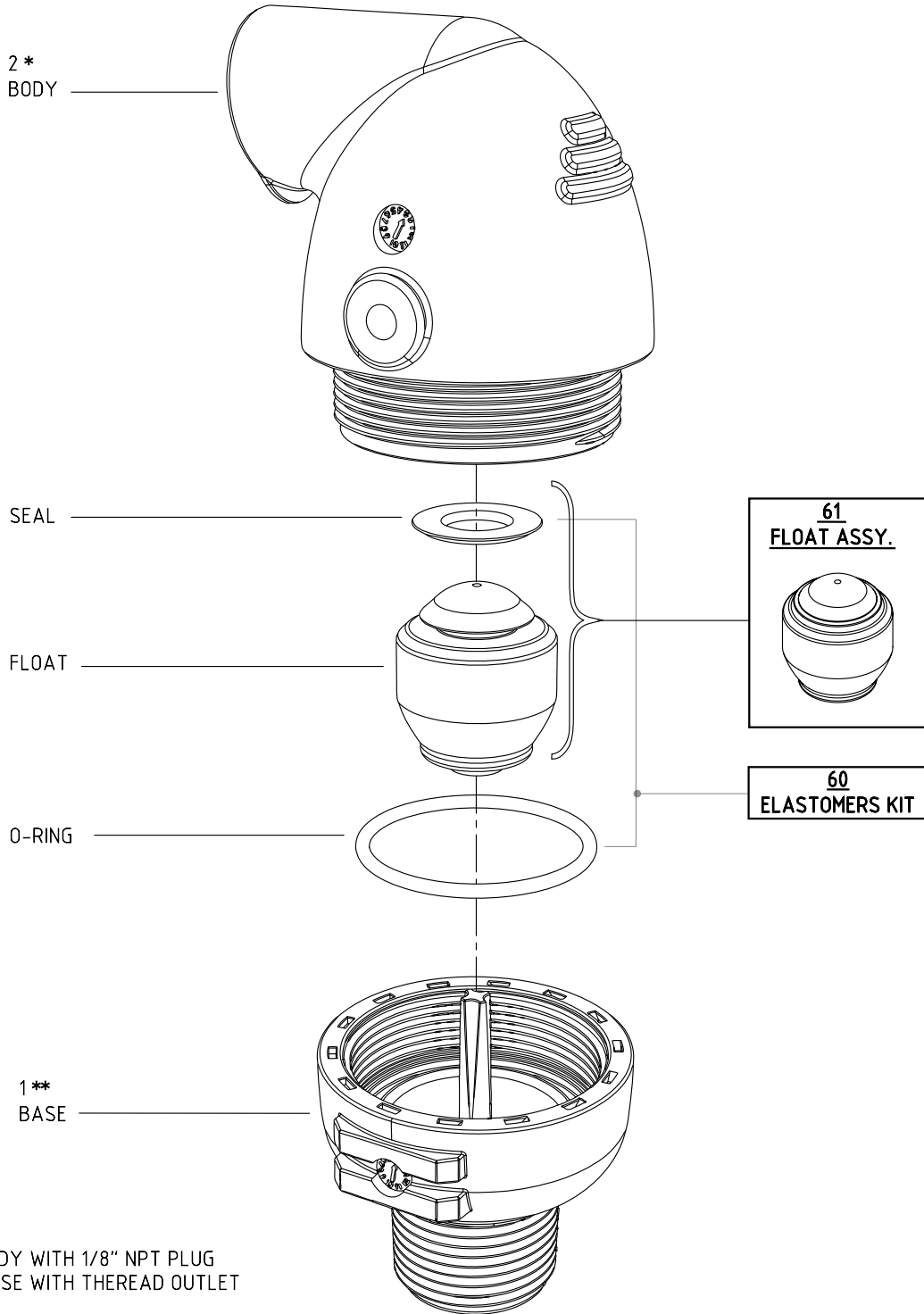


Kinetic (Air/Vacuum) Air Valve

Sizes: 3/4-1"; DN20-50



* -2a BODY WITH 1/8" NPT PLUG
** -1a BASE WITH THEREAD OUTLET