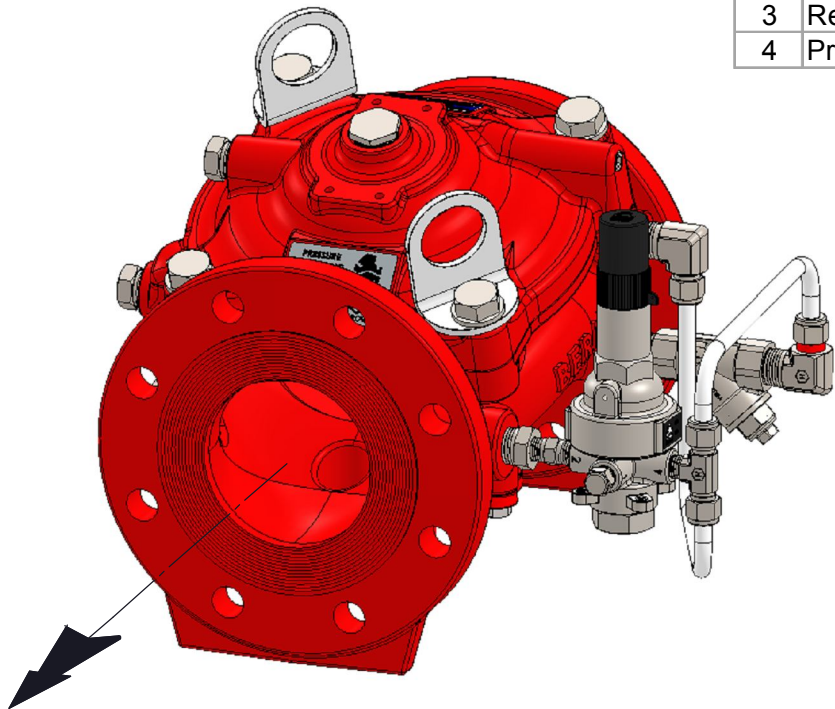
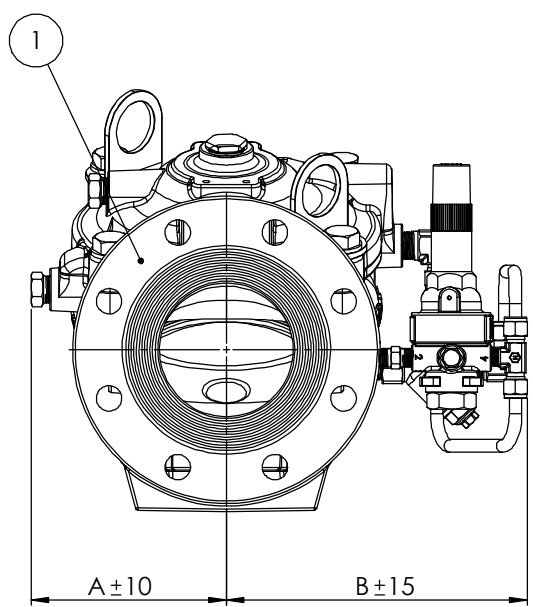
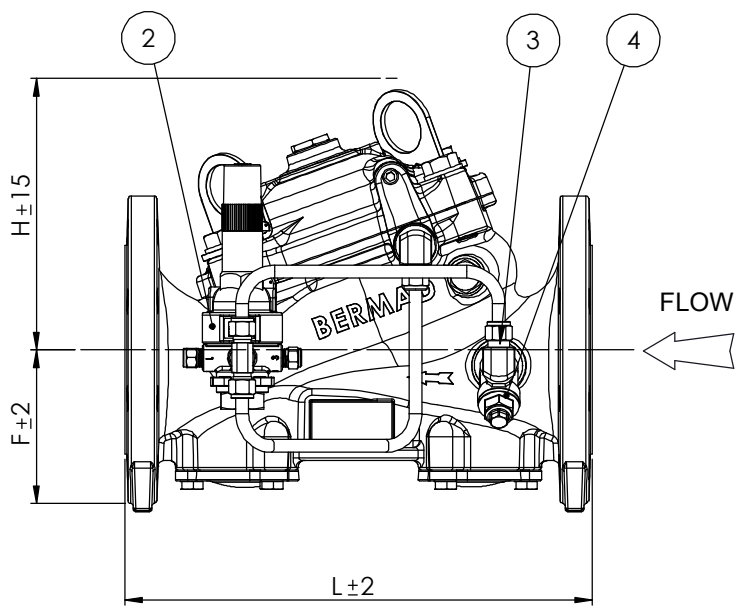


Item No.	Description	Qty
1	Main Valve Bermad 400-Y Series	1
2	Pressure Reducing Pilot Valve #2-BP	1
3	Restriction Orifice Insert	1
4	Priming Y Filter 1/2"	1



Valve Size	3"	4"	6"
DN	80	100	150
Metric	mm	mm	mm
H	146	202	272
F	103	115	140
L	310	350	480
A	139	147	200
B	223	254	268
Weight (Kg)	27	36	73



NOTE: 1-PROVIDE AMPLE CLEARANCE FOR FUTURE MAINTENANCE

THIS DOCUMENT IS BERMAD'S PROPERTY AND CANNOT BE USED BY OTHERS FOR ANY PURPOSE WITHOUT PRIOR WRITTEN CONSENT.

CATALOG No.	FP-3"-6"-42T-H-NN-STD			
	Project Name:		Material:	Finish:
	BERMAD		42T PRESSURE REDUCING VALVE	
	Doc. Code: GA			
	NAME	DATE		
DESIGN	Engineering Dep	24.09.2013		
DRAWN	Carel Van Gent	24.09.2013	File name: FP0442TON-STD	SCALE: 1:5
APPROVED	Carel Van Gent	24.09.2013	DWG No. 008494	WEIGHT [Kg]: 34.75
			SHEET 1 OF 1	REV. -

